

## DISPOSAL FLAP WITH MOUNTING FRAME WP136



326 x 173 x 10 mm

- Self-closing, flame-retardant disposal flap with mounting frame in robust, germ-reducing and easy-care stainless steel (AISI 304).
- All-stainless steel construction; visible surfaces satin finished and brushed.  
Further available surfaces: see below.
- Mounting: With four screws on the inside, sideways.
- Installation dimensions: 282 x 155 mm
- Delivery includes fixing material.
- Weight, including single package: 0.8 kg

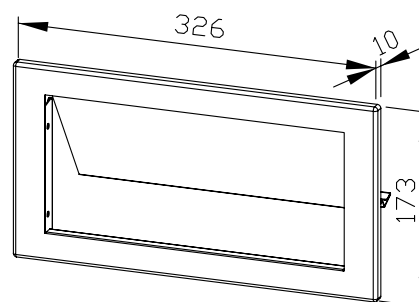


### Suggested text for specifications:

Self-closing, flame-retardant disposal flap with mounting frame in stainless steel (AISI 304) for under-counter mounting at the front side. All-stainless steel construction; visible surfaces satin finished and brushed. Delivery includes fixing material.

Dimensions: 326 x 173 x 10 mm

Article No. WP136



Available surfaces	ID No.
satin finished (standard)	764 657
highly polished	731 657
(coloured) plastic powder-coating	728 657

### Ernst Wagner GmbH & Co. KG

Ernst-Abbe-Straße 21 · D-72770 Reutlingen · Tel.: +49712151539-0 · Fax: -20  
info@wagner-ewar.de · www.wagner-ewar.de

WAGNER  
EWAR